



Measurements:

Overall Width W521mm

Overall Height H1059mm

Overall Angle 30°

Index

Page 1 - Introduction

Page 2 - Explanation

Page 3 - Back-Lit 'Paper / Film'

Clarelight 2xA3 Freestanding Display

The Clarelight™ LED display is our most **'Innovative & Most Sustainable'** - **'Contemporary Tablet Styling'** - **Freestanding Display'**

Packed with features to help you create a high-impact display EXACTLY where it is needed.

Smart framed 2xA3 LED's simply slot into the sturdy frame - allowing swap panels in seconds

The LED lightpockets are manufactured using recycled material.

The Frame & Back Panel are manufactured from at least 80% recycled content.

The material is manufactured in the UK - further reducing the carbon footprint of manufacturing.



LED Panel Explanation:

LED's (2xA3) are powered via magnetised connectors - All connected by a single Power Transformer (hidden within the base)

Supplied as a flat-pack-easy-to-assemble (takes minutes to assemble) - No specialist installation required

Once assembled, simply plug the power transformer into your nearest power socket- and **that's it!**

Mind you, it would be a good to invest in a 'Surge Protector' for extra-peace-of-mind

(Clarelight 2xA3 Freestanding Display)

Fig 1 = Overall Width W521mm x Height H1059mm, with a 30° desired angle

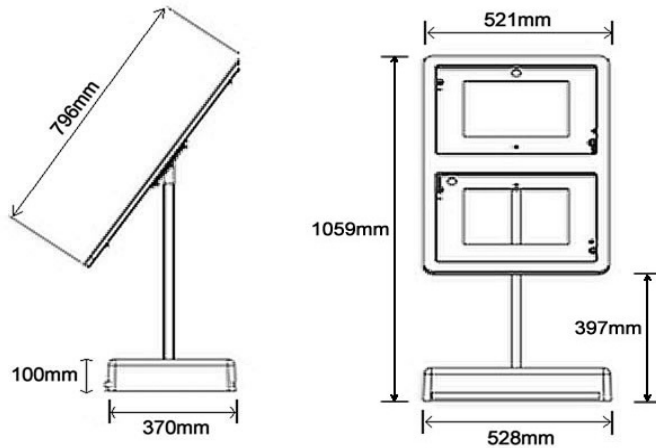


Image 2 = Simply slot each LED into the frame

Image 3 = Easy document changes, simply remove LED Front, insert document, replace the LED Front

Image 4 =

Optional (additional Order) 'Panel Dividers' - allow you to display 2x A4 Portrait Documents side-by-side within an A3 landscape panel
Hence - Amending your 2x A3 Landscape Document Displays, to 4x A4 Portrait Document Displays

Image 2



Image 3



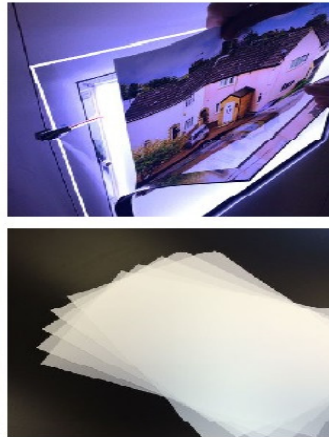
Image 4



(Clarelight 2x A3 Freestanding Display)

Additional Products - "Back-Lit Paper / Film

To help create a stunning LED Display - It is highly recommended that Back-Lit Paper or Film is utilised



Printer Compatibility?	
1	Still not 100% sure
2	Simply order our 'Samples'
3	Once received, print on them
4	Then, decide
5	Website Ref = SAMPLES-A4



We offer 4x Choices - Back-Lit Paper-120gsm + 135gm + Film (Matt-on-Matt) + Film (Gloss-on-Matt)

Back-Lit Paper-120gsm

Choice 1 -
 A3 + A4 Versions = Website ref: **PAPER**
 (120gsm Brilliant White Gloss Coated Paper)
 (Brilliant White both-sides) - **"The Starter Choice"**
 Supplied in A3 + A4 + In Packs of 250 or 500x Sheets

Back-Lit Film (Matt-On-Matt)

Choice 3 -
 A3 Version = Website ref: **FILM-125gsm-A3**
 A4 Version = Website ref: **FILM-125gsm**
 (125gsm Milky both sides) - **"The Silver Winning Choice!"**
 Supplied in A3 + A4 + In Packs of 50 or 100x Sheets

Back-Lit Paper-135gsm

Choice 2 -
 A3 + A4 Versions = Website ref: **PAPER135**
 (135gsm Brilliant White Gloss Coated Paper)
 (Brilliant White both-sides) - **"The Starter Choice"**
 Supplied in A3 + A4 + In Packs of 250 or 500x Sheets

Back-Lit Film (Gloss-On-Matt)

Choice 4 -
 A3 Version = Website ref: **FILM-160gsm-A3**
 A4 Version = Website ref: **FILM-160gsm**
 (160gsm Milky + Clear) - **"The Gold Winning Choice!"**
 Supplied in A3 + A4 + In Packs of 50 or 100x Sheets

(Clarelight 2xA3 Freestanding Display)